



MAJESTIC OUTDOOR GAS FIREPLACE

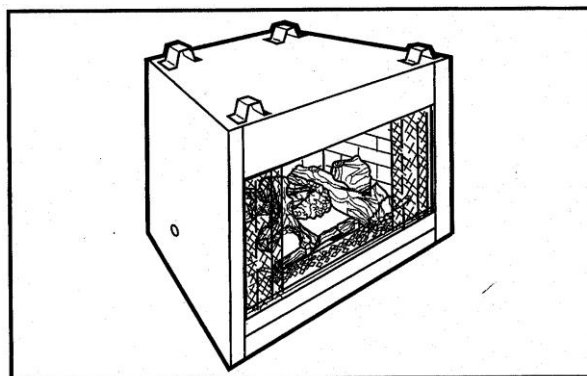
To suit Models:

ODGSR36ANAU & ODGSR36APAU

Gas Types: Natural Gas (NG) or Propane (LPG)

CUSTOMER INSTALLATION AND OPERATING INSTRUCTIONS

Thank you for purchasing a Majestic Outdoor Gas Fireplace



1. To operate and maintain this appliance safely and correctly, please read these instructions thoroughly.
2. This appliance must be installed in accordance with:
 - a. Local Gas Fitting Regulations
 - b. Municipal Building Codes
 - c. Australian Standard for Gas Appliance Installations AS/NZS5601.1:-2010
 - d. Any other relevant Statutory Regulation
 - e. Manufacturer's installation instructions
3. This appliance must be serviced by a qualified person.

CONTENTS

For Your Safety

General Information

Installation Instructions

- General Information
- Fireplace Dimensions
- Clearance to Combustibles
- Mantels
- Mantel Chart
- Hearth
- Framing and Finishing
- Final Finishing
- Gas Specifications
- Gas Inlet and Burner Pressures
- High Elevations
- Valve Access
- Gas Fitting Line Installation

Operating Instructions

- Log Installation
- Lava Rock
- First Firing
- Flame Adjustment
- Flame Characteristics
- Lighting and Operating Instructions
- Troubleshooting

Maintenance

Parts List

Warranty

Service & Spare Parts

For Your Safety

For your safety do not operate this appliance before reading this instruction book.

WARNING: Improper installation, adjustment, alteration, service or maintenance can cause injury or property damage. For assistance or additional information consult with Rheem Australia, your qualified installer or accredited Rheem Australia Service agency.

WHAT TO DO IF YOU SMELL GAS?

DO NOT try to light any gas appliance.

DO NOT touch any electrical switch.

Turn off gas supply at meter.

Immediately call Rheem Service or your gas supplier or licensed gas fitter.

Note: Some gases are heavier than air and it maybe necessary to check for gas leaks at floor level.

CAUTION!

DO NOT operate this appliance before reading this instruction booklet.

DO NOT place articles or objects on or against the appliance.

DO NOT store chemicals or flammable materials near this appliance.

DO NOT spray aerosols in the vicinity of this appliance whilst it is in operation.

PRIMARILY A DECORATIVE APPLIANCE – NOT CERTIFIED AS A SPACE HEATER.

TO REDUCE THE RISK OF FIRE OR INJURY FROM BURNS AND FOR THE PROTECTION OF YOUNG CHILDREN OR THE INFIRM, A SECONDARY GUARD IS RECOMMENDED.

Notice to Victorian Customers: This appliance must be installed by a licensed person as required by the Victorian Building Act 1993. Only a licensed person will give you a compliance certificate showing that the work complies with all relevant standards. Only a licensed person will have insurance protecting their workmanship for 6 years. Make sure you use a licensed person to install this heater and ask for a compliance certificate. – Message from the Victorian Plumbing Commission.

General Information

FOR SAFE INSTALLATION AND OPERATION OF YOUR GAS APPLIANCE PLEASE NOTE THE FOLLOWING:

- a) This appliance gives off high temperatures and should be located out of high traffic areas and away from outdoor furniture and blinds or curtains.
- b) Children and adults should be alerted to the hazards of high surface temperatures of this appliance and should stay away to avoid burns or ignition of clothing.
- c) Children should be carefully supervised when they are in the vicinity of the appliance.
- d) Under no circumstances should this appliance be modified. Parts removed for servicing should be replaced prior to operating this appliance again.
- e) Installation and any repairs to this appliance must be carried out by a suitably qualified and licensed service person. A professional service person should be contacted to inspect this appliance annually.
- f) Make it a practice to have your gas appliances serviced annually.
- g) Control compartments, burners and air passages in this appliance should be kept clear of dust and lint. Make sure that the gas valve and pilot light are turned off before you attempt to clean this unit.
- h) Keep the area around your appliance clear of combustible materials, gasoline and other flammable vapour and liquids. This appliance should not be used as a drying rack for clothing etc.
- i) Under no circumstances should any solid fuels (wood, coal, paper, cardboard etc.) be used in this appliance.
- j) This heater must be installed on a brick, metal or wood base extending the full width and depth of the heater. **This fireplace insert cannot be installed directly onto or into combustible materials.**
- k) Do not use this appliance if any part has been under water. Immediately call a qualified service technician to inspect the appliance and to replace any part of the gas control system that has been under water.

Installation Instructions

General Information

The gas log fires must be installed by a licensed gas fitter in accordance with requirements set out in AS5601.1:2010 and any applicable building code regulations.

The ODGSR Series are radiant gas log fires and are designed for outdoor installation only and must be located so it is protected from rain.

Do not burn wood or other materials in this appliance. These units are available for use on either Propane or Natural gases. Refer to the appliance data plate for correct gas type, gas consumption, gas pressure and injector size details.

Contact Rheem Australia if any parts are damaged or dislodged during shipment.

Ventilation Requirements

Adequate combustion and ventilation air must be provided. The flow of combustion and ventilation air MUST NOT be obstructed.

NOTE: THIS APPLIANCE MUST NOT BE INSTALLED OR USED INDOORS

This appliance shall only be used in an above ground, open-air situation with natural ventilation, without stagnant areas, where gas leakage and products of combustion are rapidly dispersed by wind and natural convection.

Any enclosure in which the appliance is used shall comply with one of the following:

- An enclosure with walls on all sides but at least one permanent opening at ground level and no overhead cover (and protected from rain).
- Within a partial enclosure that includes an overhead cover and no more than two walls.
- Within a partial enclosure that includes an overhead cover and more than two walls with at least 25% of the total wall area completely open AND at least 30% of the remaining wall area open and unrestricted.
- In the case of balconies, at least 20% of the total wall area shall be and remain open and unrestricted.

Diagrams on the following page illustrate examples of "outdoor areas".

Provide adequate clearances around the air opening into the combustion chamber and adequate accessibility clearance for servicing and proper operation. NEVER obstruct the front opening of the appliance.

This appliance is not designed to be water tight. Therefore, when installing this unit against an exterior wall, the wall must be finished before setting the appliance in place, and the appliance must be located in an area protected from rain.

See examples below of Outdoor Areas:

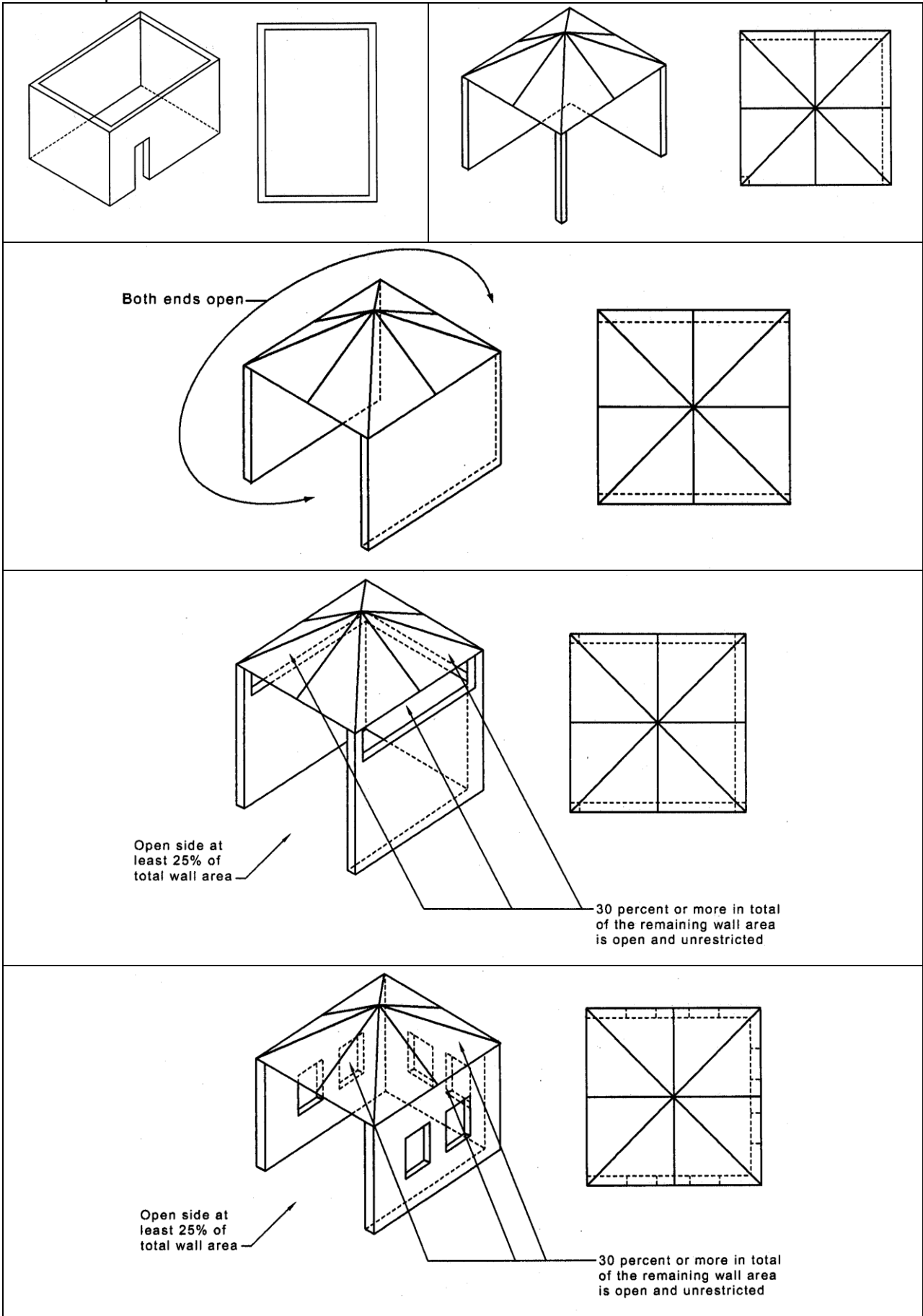
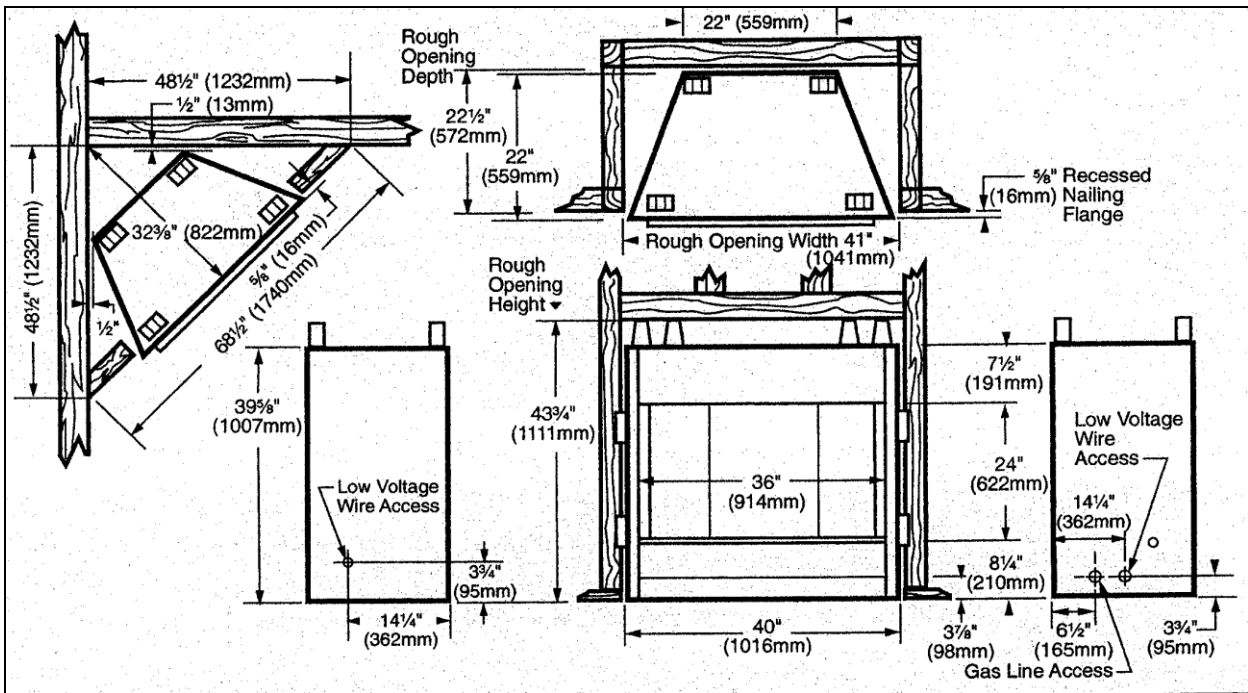


Figure 1: Overall and framing dimensions.



Clearance to Combustibles (Refer Figure 1)

Top framing	0 mm to standoff spacer
Bottom.....	0 mm
Side framing	0 mm to standoff spacer
Back framing	0 mm to standoff spacer
Perpendicular Sidewall.....	0 mm
Top of unit to ceiling.....	915 mm
Front of unit to combustibles.....	915 mm

Hearth

A hearth is not mandatory but is recommended for aesthetic purposes. We recommend a non-combustible hearth.

Mantels

The height that a combustible mantel is fitted above the fireplace is dependent on the depth of the mantel. This also applies to the distance between the mantel leg (if fitted) and the fireplace.

For the correct mounting height and widths refer to Figures 2a and 2b.

Non-combustible mantels and legs may be installed at any height and width around the appliance.

Warning: When using paint or lacquer to finish the mantel, such paint or lacquer must be heat resistant to prevent discolouration.

- A minimum of 100mm above the fireplace must be non-combustible material (eg fibre cement sheeting).

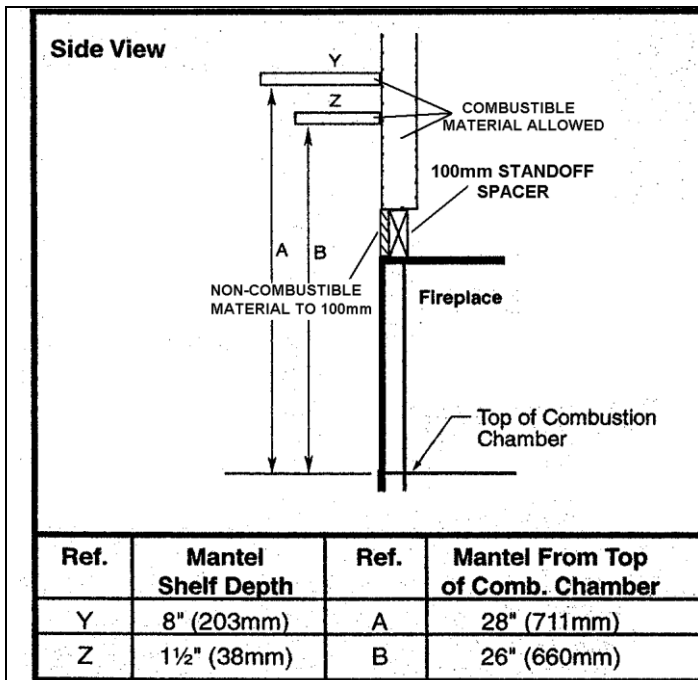


Figure 2a

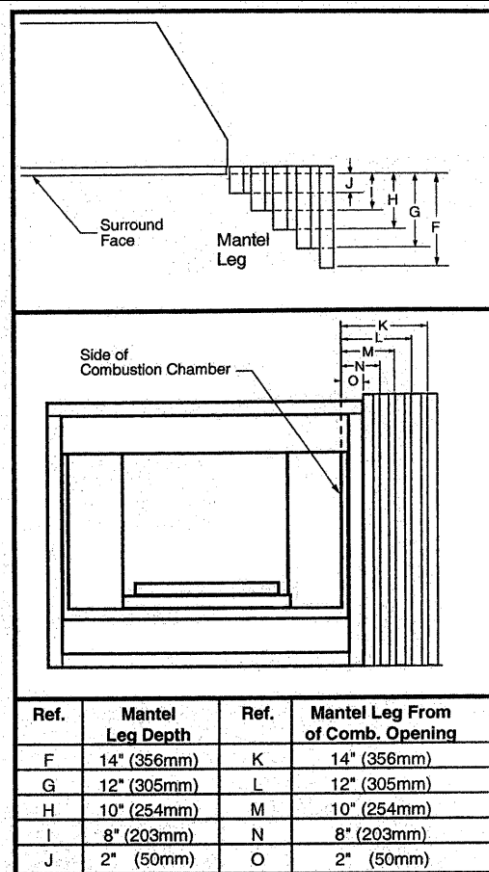


Figure 2b

Framing and Finishing

Warning: Check appliance to make sure it is levelled and properly positioned.

The appliance should only be mounted on the following surfaces:

- A flat combustible (burnable) surface.
- A raised wooden platform.
- A concrete block or other solid object placed beneath each of the four corners of the appliance.

To mount the appliance:

- Choose unit location.
- Four (4) nailing flanges are supplied with the fireplace (located on the fireplace hearth). To level the box and secure it firmly in place, remove the nailing flanges from the hearth and install at the sides of the fireplace as shown in Figure 3

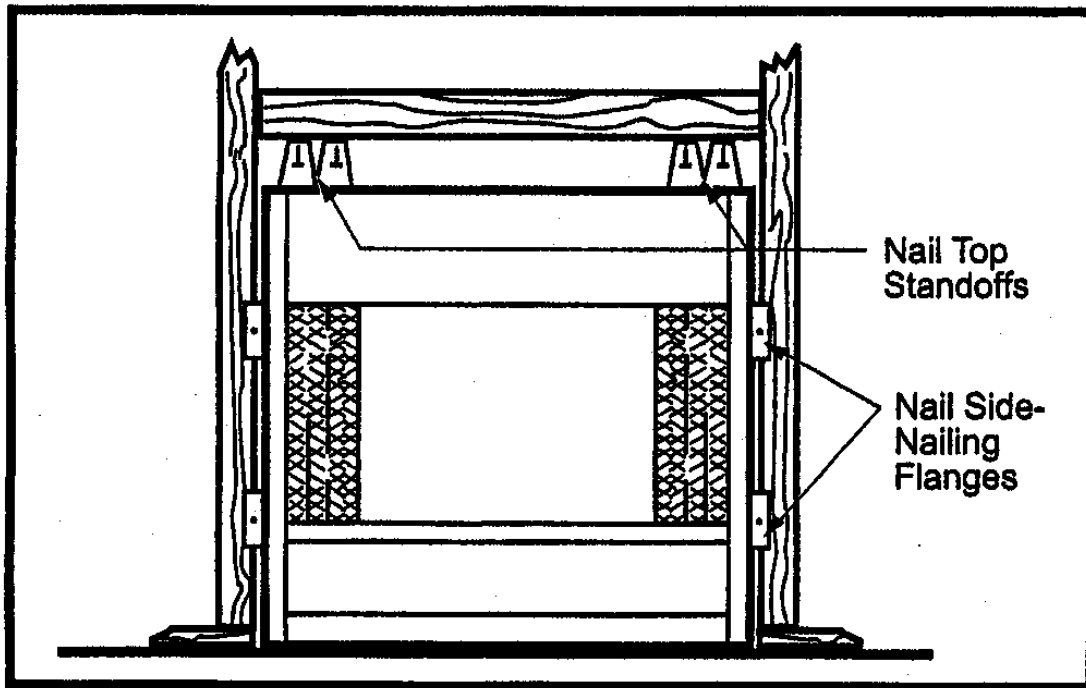


Figure 3

Finishing

CAUTION: All joints between the finished wall and the appliance surround (top and sides) may be sealed only with a non-combustible material. Only non-combustible material can be applied as facing to the appliance surround as per Figures 2a and 2b.

Gas Specification (always refer to appliance Data plate)

GAS SPECIFICATION				
MODEL	GAS TYPE	GAS CONTROL	Max Input MJ/h	Min Input MJ/h
ODGSR36ANAU	Nat	Millivolt Hi/Lo	60	43
ODGSR36APAU	Propane	Millivolt Hi/Lo	60	44

GAS INLET AND MANIFOLD PRESSURE kPa		
	NATURAL	PROPANE
Min Supply Pressure	1.13	2.75
Max Supply Pressure	3.50	3.50
Burner Test point Pressure	0.80	2.50

The gas control valve has test point connections for both inlet and burner test point (outlet) pressures, integral with the valve.

Valve Access

Valve can be accessed in one of two ways:

1. Remove the front panel just below the front of the hearth pan. This is accomplished by lifting on the panel. To replace the valve access panel line up the two pins with the holes in the surround bottom and push the panel over the hearth pan. (Refer Figure 4)
2. Lift the brick with Majestic logo on it (Refer Figure 5)

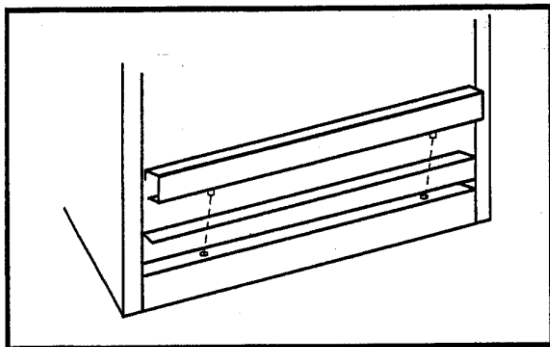


Figure 4

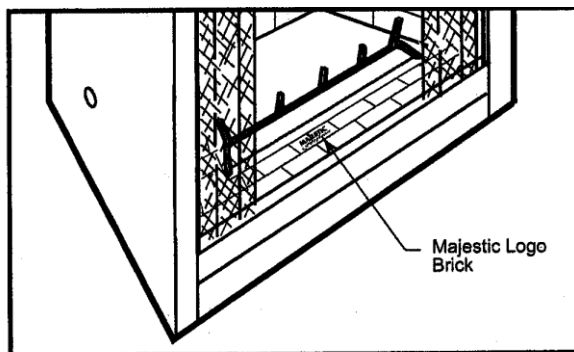


Figure 5

Gas Line Installation

The gas valve inlet is 1/2" BSP internal (female) thread. The inlet piping connection, sizing and appliance isolating valve must be installed in accordance with AS5601.1:2010

The gas inlet piping can be brought in through the right side of the appliance. A hole is provided to allow for the gas pipe installation and testing of any gas connection.

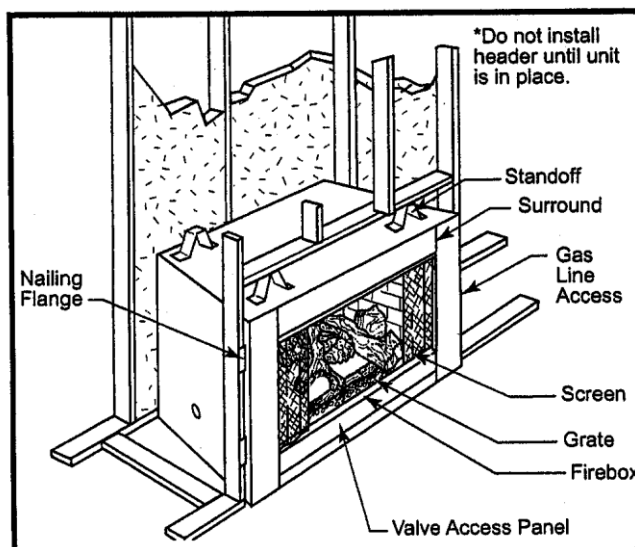


Figure 6 : Parts identification

NOTE: Test for leaks after connection. Use a 50/50 solution of liquid soap and water to test for leaks at gas fittings and joints. Apply soapy water with a brush only – do not over apply.

WARNING: NEVER TEST WITH AN OPEN FLAME.

Operating Instructions

Log Installation

Warning: As with all plastic bags, these bags are not toys and should always be kept away from children and infants.

1. Remove logs from packaging.
2. Place left rear log on rear support. Ensure that log is firmly positioned and there is no side to side movement. (Refer to Figure 11)
3. Carefully place ember log between grate and burner.
4. Place the front of right rear log on the burner and the back of the log on the rear log support.
5. Place the top logs onto the locator notches. Ensure the logs are secure.

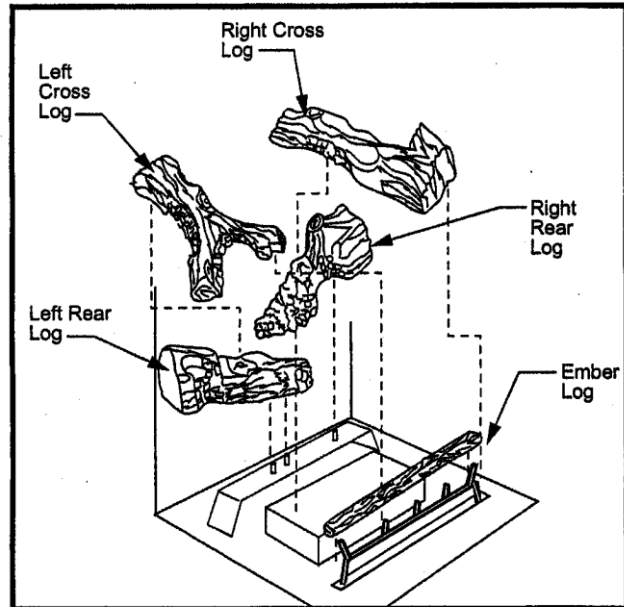


Figure 11

First Firing

Upon completion of the gas fitting line, a small amount of air will be trapped in the gas pipe. When first lighting the pilot light, it will take a few minutes to purge the trapped air.

Once purging is complete, the pilot and burner will light and will operate as outlined in the instruction manual. Subsequent lighting of the appliance will not require purging.

When lit for the first time, the appliance will emit a slight odour for an hour or two. This is due to the paint and lubricants used in the manufacturing process.

Flame Adjustment

For units equipped with Hi/Lo valves, flame adjustment is achieved by rotating the Hi/Lo adjustment knob located near the centre of the gas control valve.

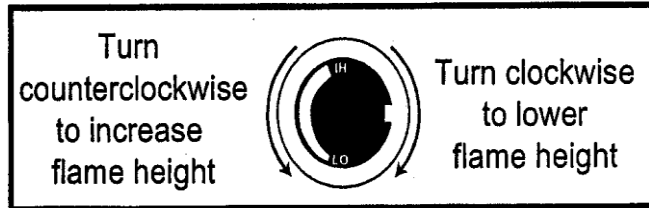


Figure 12 – SIT 820 Gas Control Knob

Flame Characteristics

It is important to periodically perform a visual check of the pilot and the burner flames (refer Figures 13 & 14).

The burner flame is checked after 5 minutes operation. It should be mainly a yellow flame with possibly some blue flame at the base. The yellow flame should not be producing soot deposits (insufficient air). The flame should not be excessively blue and noisy (excess air).

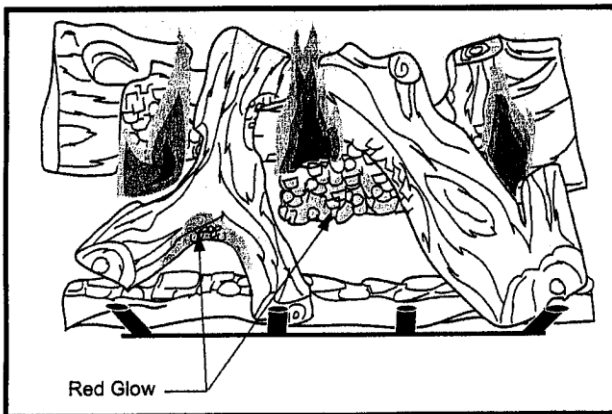


Figure 13

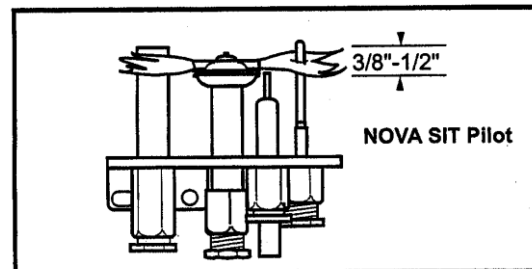


Figure 14

If any of the flames appear abnormal call a Rheem service or your licensed service technician.

Lighting and Operating Instructions

FOR YOUR SAFETY READ BEFORE LIGHTING

WARNING: If you do not follow these instructions exactly, a fire or explosion may result causing property damage, personal injury or loss of life.

- A. This heater has a pilot which must be lit manually. When lighting the pilot follow these instructions exactly.
- B. **BEFORE LIGHTING** smell all around the heater area for gas. Be sure to smell next to the floor because some gas is heavier than air and will settle on the floor.


WHAT TO DO IF YOU SMELL GAS

- Do not try to light any fireplace
- Do not touch any electric switch
- Do not use any phone in your building
- Immediately call your gas supplier from a neighbor's phone. Follow the gas supplier's instructions.

- If you cannot reach your gas supplier, call the Fire Department

- C. Use only your hand to push in or turn the gas control knob. Never use tools. If the knob will not push in or turn by hand, do not try to repair it, call a qualified service technician. Applying force or any attempted repair may result in a fire or explosion.
- D. Do not use this fireplace if any part has been under water. Immediately call a qualified service technician to inspect the heater and to replace any part of the control system and any gas control which has been under water.

Lighting Instructions

1. **STOP!** Read the safety information above.
2. Turn **OFF** all electrical power to the fireplace.
3. For MN/MP/TN/TP appliances **ONLY**, go on to Step 4. For RN/RP appliances turn the On/Off switch to "**OFF**" position or set thermostat to lowest level.
4. Open control access panel.
5. Push in gas control knob slightly and turn clockwise  to "**OFF**".




Euro SIT



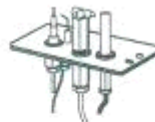
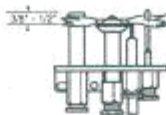
SIT NOVA



Honeywell

6. Wait five (5) minutes to clear out any gas. Then smell for gas, including near the floor. If you smell gas, **STOP!** Follow "B" in the safety information above. If you do not smell gas, go to the next step.
7. Remove glass door before lighting pilot. (See Glass Frame Removal section).
8. Visibly locate pilot by the main burner.
9. Turn knob on gas control counterclockwise  to "**PILOT**".

10. Push the control knob all the way in and hold. Immediately light the pilot by repeatedly depressing the piezo spark ignitor until a flame appears. Continue to hold the control knob in for about one (1) minute after the pilot is lit. Release knob and it will pop back up. Pilot should remain lit. If it goes out, repeat steps 5 through 8.




- If knob does not pop up when released, stop and immediately call your service technician or gas supplier.
- If after several tries, the pilot will not stay lit, turn the gas control knob to "**OFF**" and call your service technician or gas supplier.

11. Replace glass door.
12. Turn gas control knob to "**ON**" position.
13. For RN/RP appliances turn the On/Off switch to "**ON**" position or set thermostat to desired setting.
14. Turn on all electrical power to the fireplace.

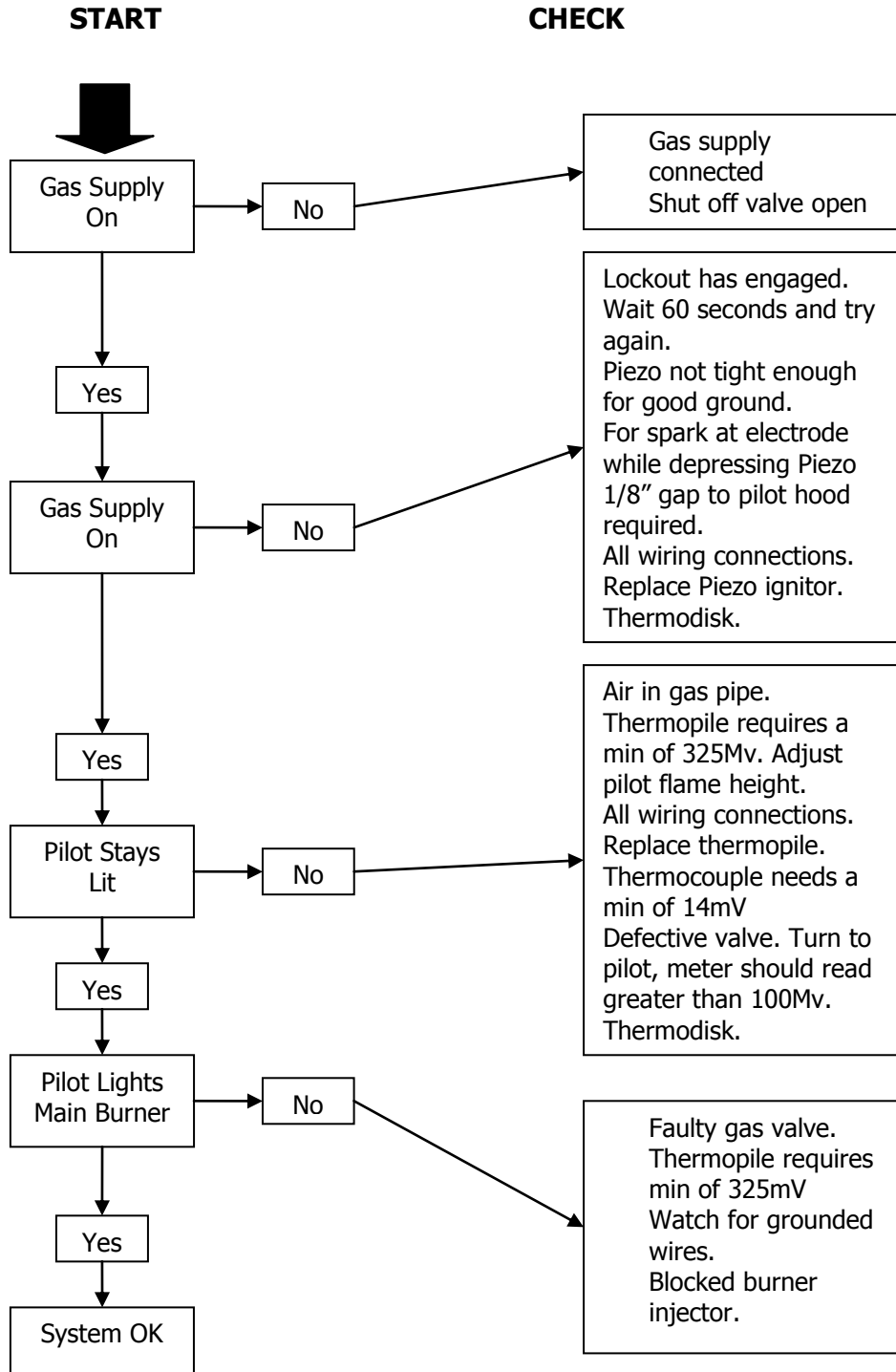
To Turn Off Gas to Heater

1. Turn the On/Off switch to "**OFF**" position or set the thermostat to lowest setting.
2. Turn off all electric power to the fireplace if service is to be performed.

3. Open control access panel.
4. Push in gas control knob slightly and turn clockwise  to "**OFF**". Do not force.
5. Close control access panel.

Troubleshooting

Nova SIT 820 Standing Pilot



Maintenance

Burner and burner compartment

It is important to keep the burner and the burner compartment clean. At least once a year the logs should be removed and the burner compartment vacuumed and wiped out. Remove and replace the logs as per the instructions in this manual.

Always handle the logs with care as they are fragile and may also be hot if the fireplace is in use.

Cleaning the Standing Pilot Control System

The burner and control system consists of:

- Main burner
- Gas orifice
- Pilot burner
- Thermopile
- Combination millivolt gas valve

Most of these components may require only an occasional check-up and cleaning and some may require adjustment. If repair is necessary, it should be performed a qualified and suitably licensed service technician.

In order to properly clean the burner and pilot assembly, turn off the gas to the unit, remove all logs exposing the burner and pilot assembly. Clean all foreign materials from the top of the burner. Check to make sure that burner parts are clean. Visually inspect pilot. Brush or blow away any dust or lint accumulation. If the pilot injector is blocked, disassembly by a qualified service technician may be required to remove the foreign matter.

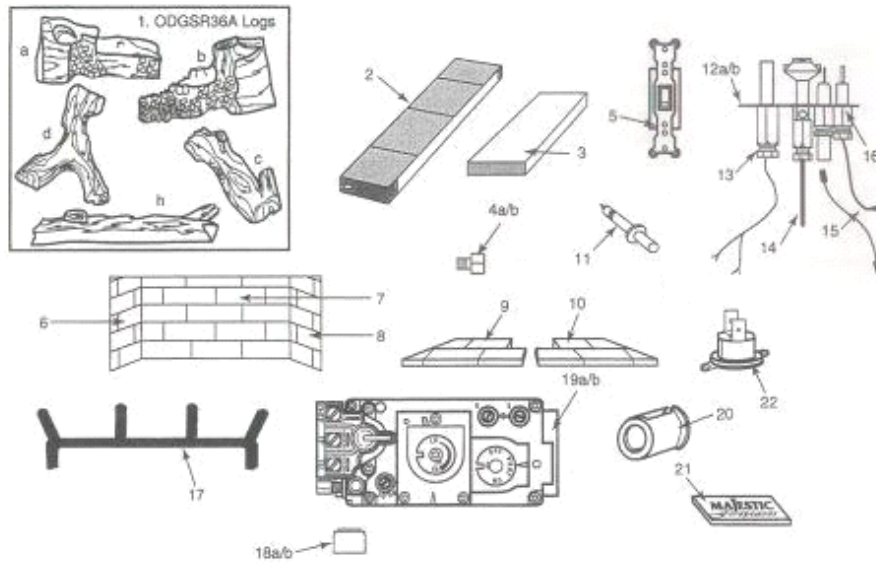
To obtain proper operation, it is imperative that the pilot and burner's flame characteristics are steady not lifting or floating.

Typically the top 1 to 1.5cm of the thermopile should be engulfed in the pilot flame.

To adjust the pilot burner, turn pilot screw marked "pilot" for the proper flame size.

The aeration shutter is set at the factory and no adjustment should be necessary.

Parts List



ODGSR36A

Ref.	Description	ODGSR36A
1.	Logs - Complete Set	20007180
1a.	Log - Left Rear	20007175
1b.	Log - Right Rear	20007176
1c.	Log - Right Cross	20007178
1d.	Log - Left Cross	20007177
1h.	Front Ember Log	20007179
2.	Burner Housing Assembly	20007119
3.	Ceramic Tile (single)	57803
4a.	Burner Orifice - Natural (Manifold & Orifice)	20007106
4b.	Burner Orifice - LP (Manifold & Orifice)	20007159
5.	Remote Switch Kit	53875
6.	Side Brick - Left	20002008
7.	Back Brick	20002006
8.	Side Brick - Right	20002007
9.	Left Hearth Brick	20007157
10.	Right Hearth Brick	20007157
11.	Piezo	52464
12a.	Pilot Top Convertible - Natural (3 Way Assembly)	10002264
12b.	Pilot Top Convertible - LP (3 Way assembly)	10002265
13.	Thermopile 18"	7533113
14.	Pilot Tubing	10001296
15.	Cable Ignitor 24"	7522432
16.	Thermocouple 24"	7531137
17.	Grate	20006819
18a.	Pilot Orifice - Natural	10002268
18b.	Pilot Orifice - LP	10002269
19a.	Valve NOVA - Natural	7529141
19b.	Valve NOVA - LP	7529142
20.	Air Shutter - Natural/LP	20000129
21.	Hearth Brick Cover	20007183
22.	Thermofisk	20007568

Majestic Outdoor Gas Fireplace Warranty - Australia Only -

Outdoor Fireplace Models:

ODGSR36ARN

ODGSR36ARN

1. THE RAYPAK/PALOMA WARRANTY - GENERAL

- a. This Warranty is given by Rheem Australia Pty Ltd ABN 21 098 823 511 of 1 Alan Street, Rydalmere New South Wales.
- b. Rheem offer a trained and qualified national service network who will repair or replace components at the address of the outdoor gas fireplace subject to the terms & conditions of the Raypak/Paloma warranty. Rheem Service, in addition can provide preventative maintenance and advice on the operation of the outdoor gas fireplace. Rheem Service contact number is available 7 days a week on 131 031 with Service personnel available to take your call from 8am to 8pm daily (hours subject to change).
- c. For details about this warranty, you can contact us on 131 031 or by email at warrantyenquiry@rheem.com.au (not for service bookings).
- d. The terms of this warranty are set out in section 2.
- e. If a subsequent version of this warranty is published, the terms of that warranty will apply to the convection heaters manufactured after the date specified in the subsequent version.

2. TERMS OF THE RAYPAK/PALOMA WARRANTY AND EXCLUSIONS TO IT

- a. The decision of whether to repair or replace a component or full replacement of the convection heater is at Raypak/Paloma's sole discretion.
- b. Where a failed component is replaced under this warranty, the balance of the original warranty period will remain effective. The replacement does not carry a new Raypak/Paloma warranty.
- c. Where the heater is installed outside the boundaries of a metropolitan area as defined by Rheem or further than 25km from either a regional branch office or an Accredited Rheem Service Agent's office, the cost of transport, insurance and travelling between the nearest branch office or Rheem Accredited Service Agent's office and the installed site shall be the owner's responsibility.
- d. If the outdoor gas fireplace is not installed in accordance with the guidelines in Raypak/Paloma's literature and installation manual, any resultant fault may not be covered by Raypak/Paloma warranty.
- e. Terms of this warranty are effective from date of purchase and the attending service technician reserves the right to verify this date by requesting a copy of the purchase invoice prior to commencement of any warranty work.
- f. No parts must be modified or removed from the unit

- g. This warranty only applies to the original and genuine Raypak/Paloma replacement parts.
- h. We reserve the right to transfer functional components from defective appliances if they are suitable.
- i. We reserve the right to have the installed product returned to the factory for inspection and repair.
- j. Please note: general cleaning, maintenance, operation and wear & tear are not covered by this warranty. Calls of this nature will be chargeable.
- k. Raypak/Paloma's warranty does not cover faults that are a result of:
 - i. Accidental damage to the product or any component (for example: (i) Acts of God such as floods, storms, fires, lightning strikes and the like; and (ii) third party acts or omissions).
 - ii. Misuse or abnormal use of the convection heater.
 - iii. Installation not in accordance with the "Customer Operating and Installation Manual" or with relevant statutory and local requirements in the State or Territory in which the convection heater is installed.
 - iv. Repairs, attempts to repair or modifications to the convection heater by a person other than Rheem Service or a Rheem Accredited Service Agent.
 - v. Faulty plumbing or faulty power supply.
 - vi. Failure to maintain the outdoor gas fireplace in accordance with the "Customer Operating and Installation Manual".
 - vii. Transport damage
 - viii. Fair wear and tear from adverse conditions.
 - ix. Cosmetic defects
 - x. Where it is found that there is no fault with the appliance and the issue/s are related to the installation or is due to the failure of electric or gas supplies.
- l. If you require a call out and we find that the fault is not covered by Raypak/Paloma's warranty, you are responsible for our standard call out charge. If you wish to have the relevant components repaired or replaced that service will be at your cost.
- m. Subject to any statutory provisions to the contrary, this warranty excludes any and all claims for damage to furniture, carpet, walls, foundations or any other consequential loss either directly or indirectly caused by incorrect installation or misuse of product or other modes of failure.

3. WHAT IS COVERED BY RAYPAK/PALOMA'S WARRANTY FOR THE PRODUCT DETAILED IN THIS DOCUMENT

Rheem will repair or replace a faulty component of your outdoor gas fireplace if it fails to operate in accordance with its specifications as follows:

What Components are covered	The period in which the fault must be appear in order to be covered	What coverage you receive
Stainless Steel Firebox, Grate and mesh screen (if the outdoor gas fireplace is not installed in a single-family domestic dwelling)	Year 3	Repair and/or replacement of the faulty component, free of charge, including labour. If the heater is not repairable, full replacement free of charge.
All Components (if the outdoor gas fireplace is not installed in a single-family domestic dwelling)	Year 1	Repair and/or replacement of the faulty component, free of charge, including labour. If the heater is not repairable, full replacement free of charge.

4. ENTITLEMENT TO CLAIM UNDER THIS WARRANTY

To be entitled to make a claim under this warranty you need to:

- a. Be the owner of the convection heater or have consent of the owner to act on their behalf.
- b. Contact Rheem Service without undue delay after detection of the defect and, in any event, within the applicable warranty period.

You are not entitled to make a claim under this warranty if your product:

- a. Does not have its original serial numbers or rating label
- b. Is not installed in Australia
- c. Do not possess a copy of the original invoice.

5. HOW TO MAKE A CLAIM UNDER THIS WARRANTY

If you wish to make a claim under this warranty, you need to:

- a. Contact Rheem on 131031 and provide owners details, address of outdoor gas fireplace, a contact number, date of purchase (require proof of purchase) and serial number (from the rating label on the convection heater).
- b. Rheem will arrange for the convection heater to be tested and assessed on-site.
- c. If Rheem determines that you have a valid warranty claim, Rheem will repair or replace the convection heater in accordance with this warranty.

Any expenses incurred in the making of a claim under this warranty will be borne by you.

6. THE AUSTRALIAN CONSUMER LAW

Our goods come with guarantees that cannot be excluded under the *Australian Consumer Law*. You are entitled to a replacement or refund for a major failure and for compensation for any other reasonably foreseeable loss or damage. You are also entitled to have the goods repaired or replaced if the goods fail to be acceptable quality and the failure does not amount to a major failure.

Paloma/Rheem warranty (set out above) is in addition to any rights and remedies that you may have under the *Australian Consumer Law*.

Service & Spare Parts

Rheem Australia has a service and spare parts network in all states. Our service network personnel are fully equipped to give the best service on your Raypak/Paloma gas heater.

**If your heater requires a repair or service please contact Rheem Service on 131 031.
Repairs and Service can be carried out on site.**

Approval

**These Raypak/Paloma models have been certified by the Australian Gas Association under
Certificate Number: 6781**

In keeping with our policy of continuous progress and product improvement, we reserve the right to make changes without notice.

*Revision Nr: 11-10003550-01
December 2011*

Rheem Australia Pty Ltd
ABN 21 098 823 511
www.paloma.com.au

FOR SERVICE TELEPHONE
131 031 Australia

Sales Tel: 1300 653 014 or 1300 729 725
Sales Fax: 03 9212 8940